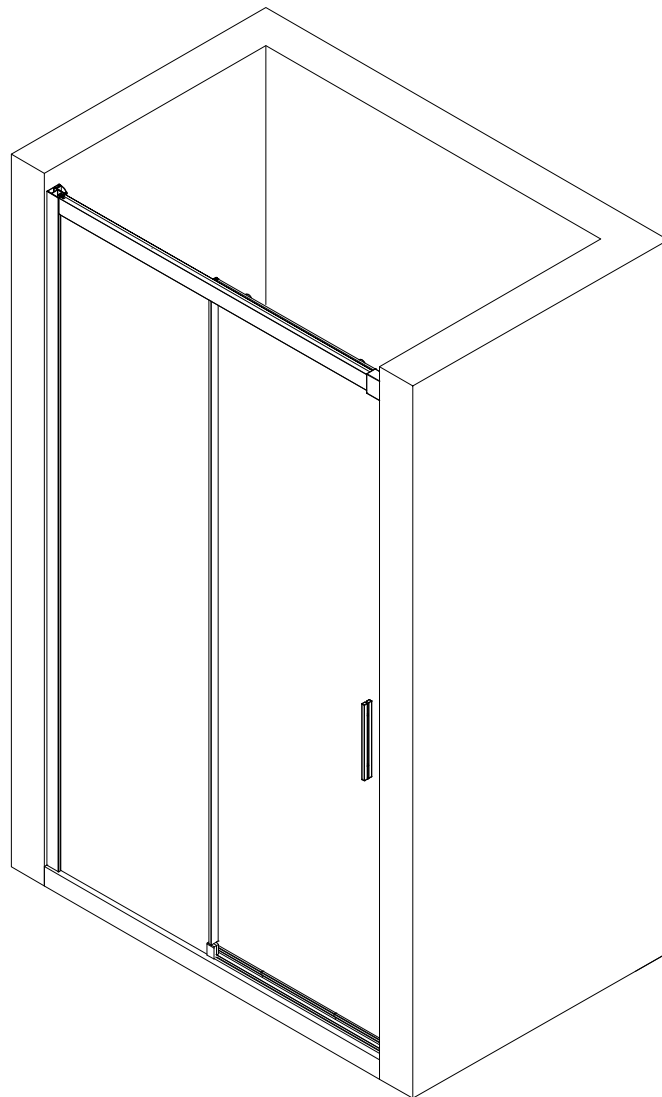


SLIDING DOOR INSTALLATION MANUAL



CE EN 14428

Assembly and installation guide

Before you start: ATTENTION

Please read these instructions through carefully before you start the installation. Incorrect product installation may result in serious product failure which will not be covered under your guarantee.


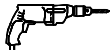

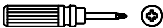

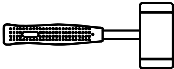





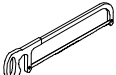
The wall profiles are designed to allow for 20mm adjustment when fitted to out of true walls. The thickness of the tiles used will affect the overall position of the assembly in situ.

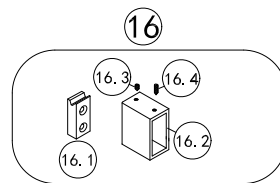
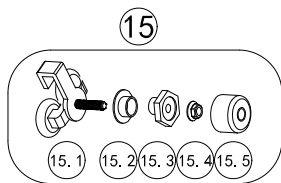
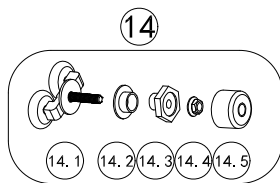
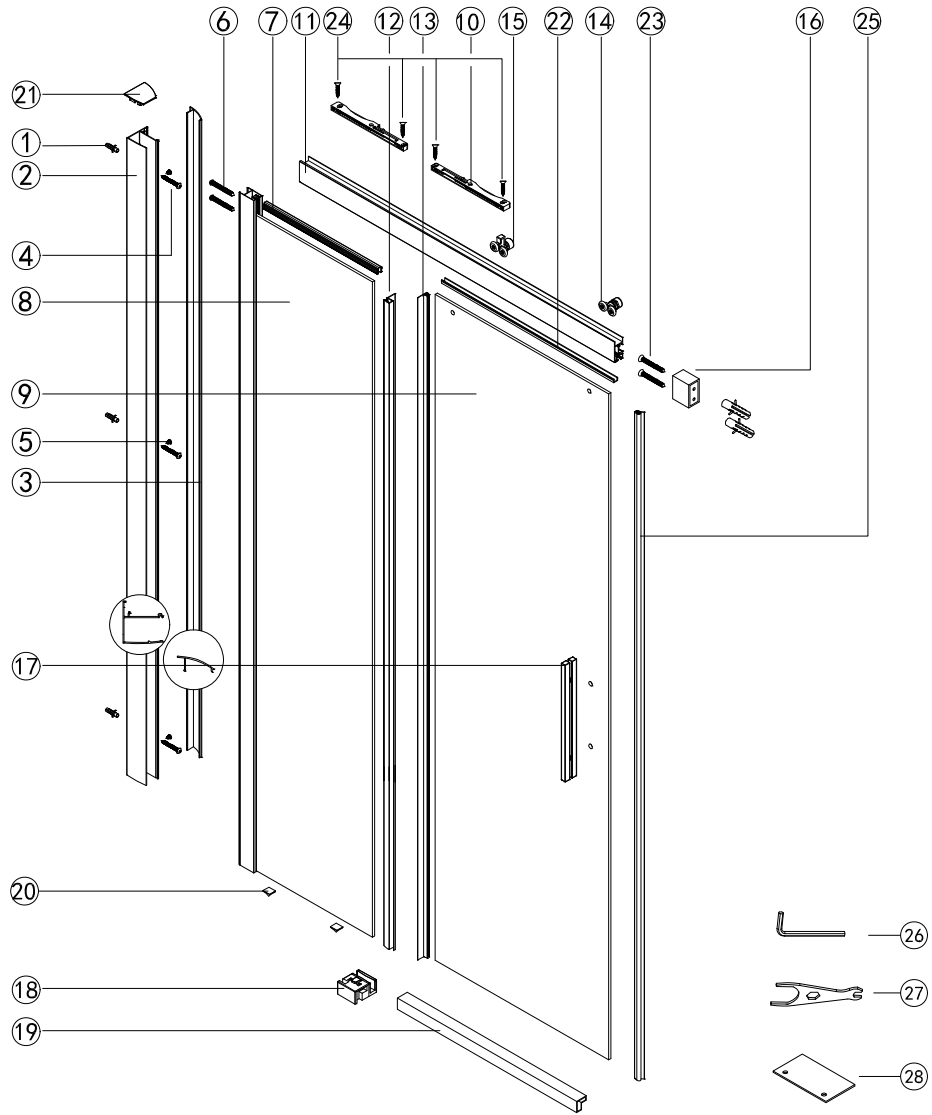
Check the number of components to ensure you have all the parts listed and make sure you have the right tools to hand.

Two people are required for certain parts of the assembly and it is always recommended that a technically competent installer should undertake the installation.

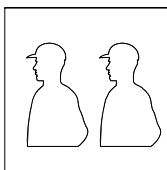
Ensure that the enclosure is fitted to a level base. The wall plugs included with this product are suitable only for solid walls. Plasterboard or stud walls may require specialized fixings which are not provided. Handle all glass components with extreme care avoiding any damage to the corners and edges which may cause it to shatter.


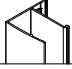





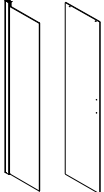
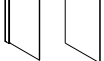



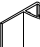



TOOLS REQUIRED


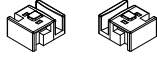


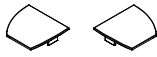
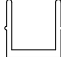






DESCRIPTION	PART IMAGE	DESCRIPTION	PART IMAGE
Tape measure		Drill	
Spirit level		Cross head screwdriver	
Pencil		Mallet	
Ø6mm Drill bit		Silicone sealant	
Ø3mm Drill bit		Gloves	
Protection eyeglasses		Hacksaw	

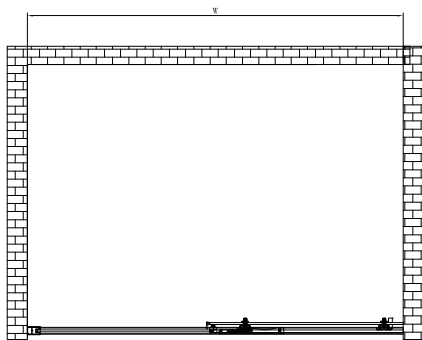


Two person assembly



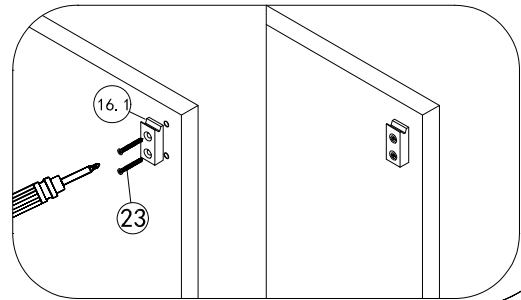
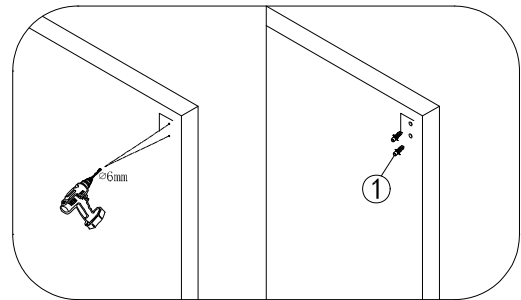
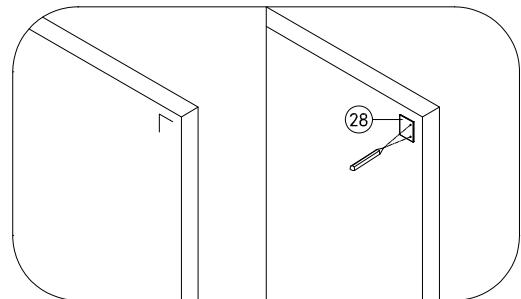
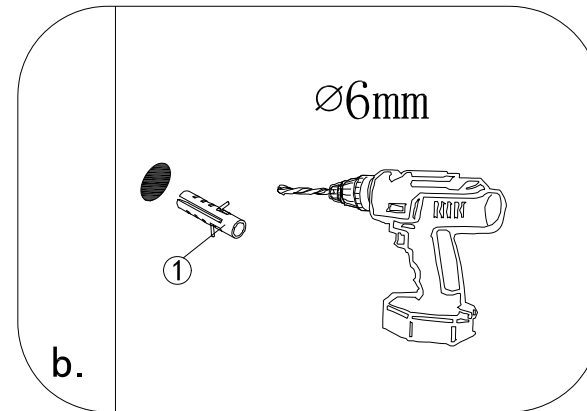
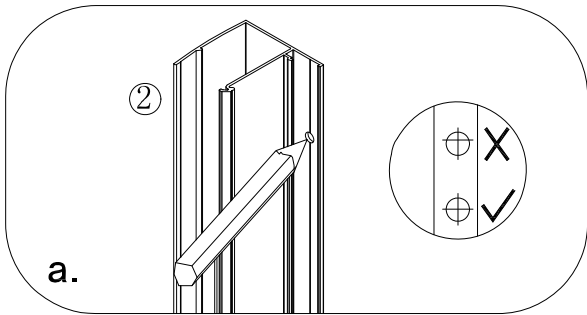
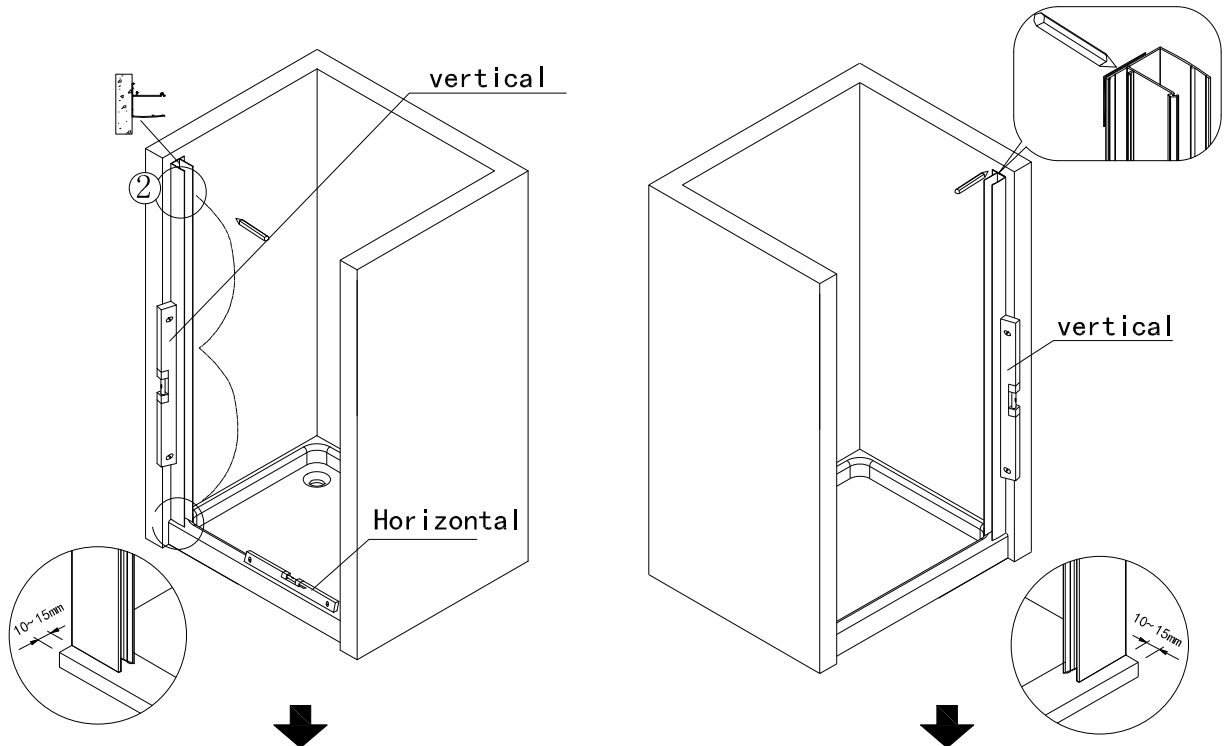
NO.	Item	Qty
1	 $\varnothing 6$	x5
2		x1
3		x1
4	 \oplus ST4*35	x3
5	 \oplus ST4*8	x3
6	 \oplus ST3.5*35	x2
7		x1
8		x1
9		x1
10		x2
11		x1
12	 short	x1
13	 long	x1
14		x1
15		x1
16		x1

NO.	Item	Qty
17		x1
18		x1
19		x1
20		x2
21		x2
22		x1
23	 \oplus ST4*45	x2
24	 \oplus ST4*25	x4
25		x1
26		x1
27		x1
28		x1



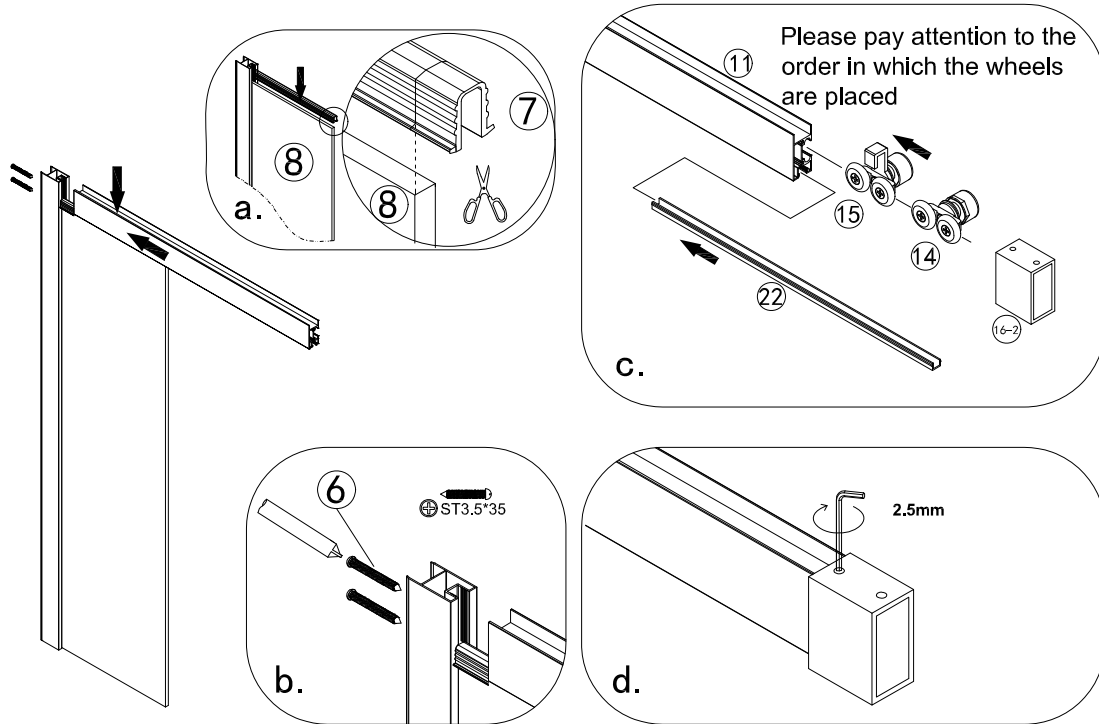
Models	Profile Adjustments
	Min-Max W mm
1200	1150-1190
1400	1350-1390
1600	1550-1590
1800	1750-1790
2000	1950-1990

1. Install the wall jamb

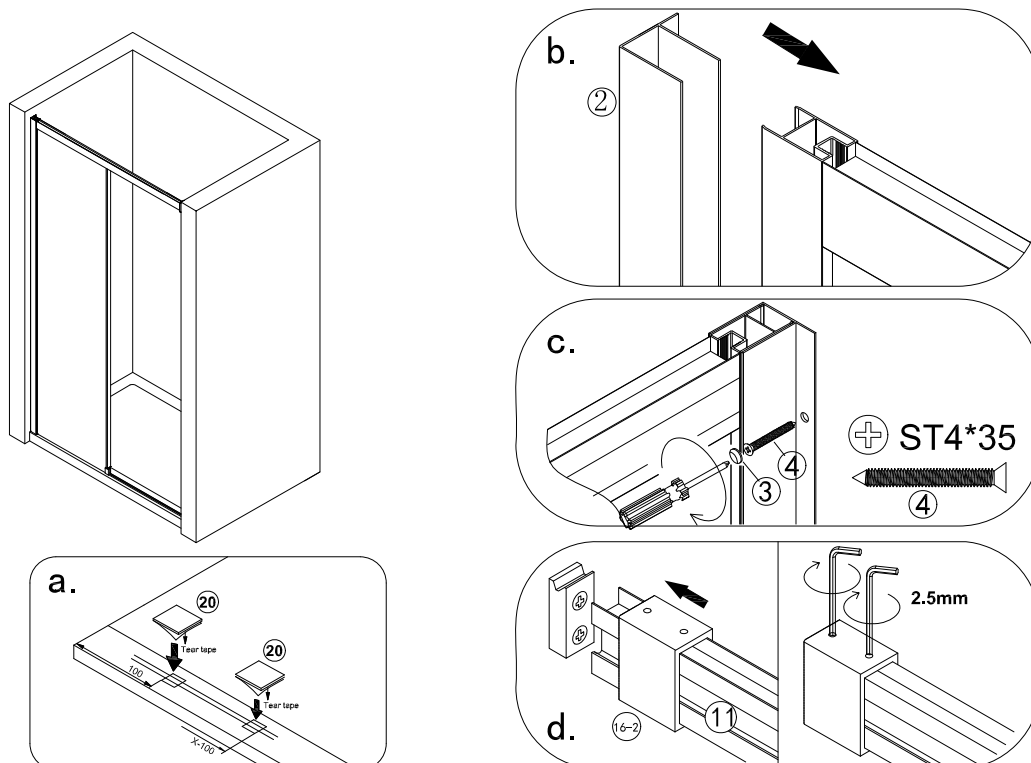


2. Install the fixed panel

2a. Install the fixed panel frame

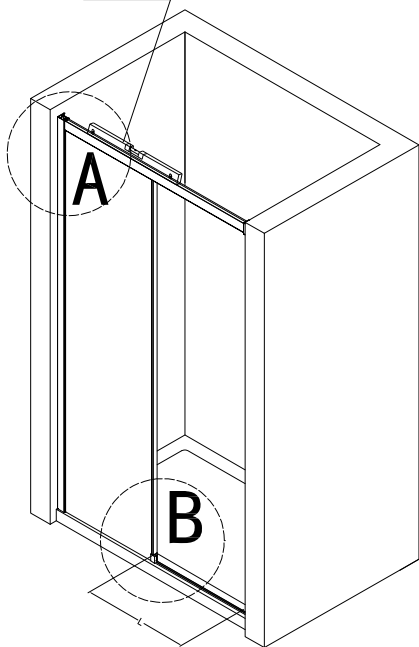


2b. Put the frame to the correct position and adjust it to upper rail anchor (16.2)

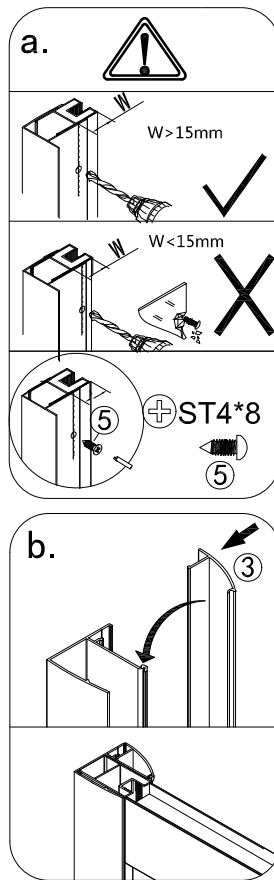


2c. Install the guide block

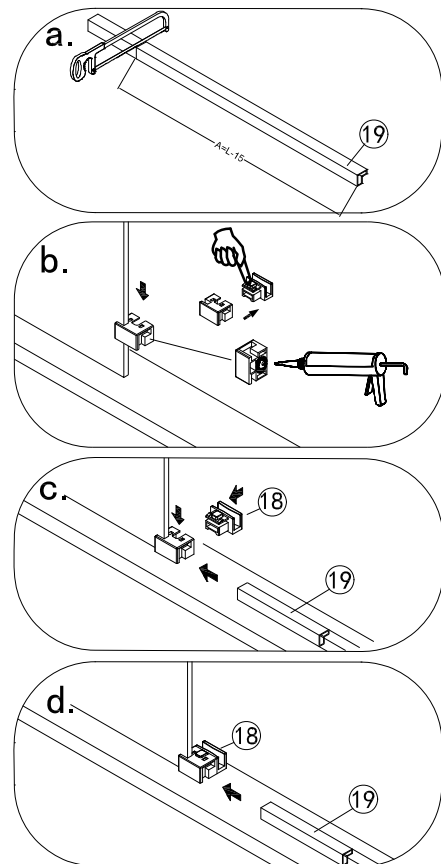
Horizontal



A

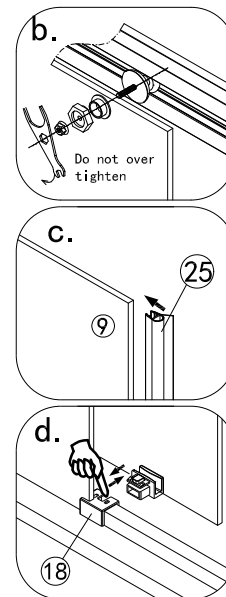
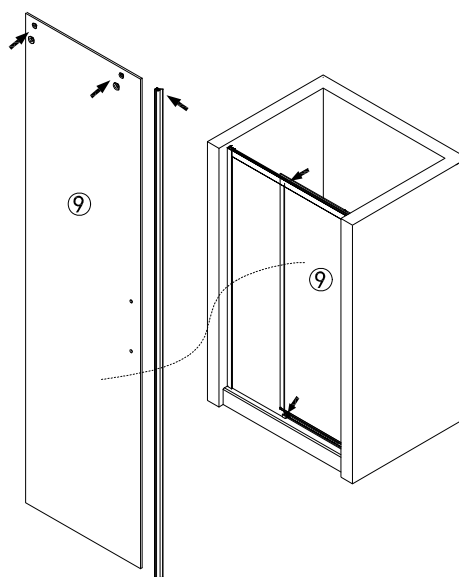
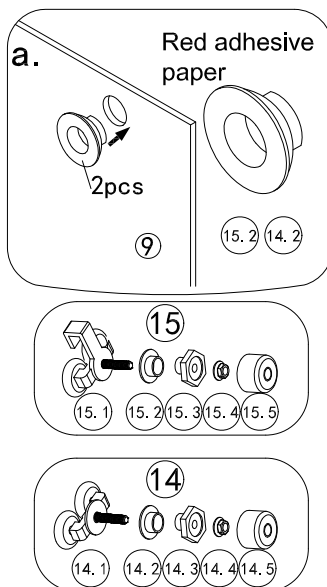


B

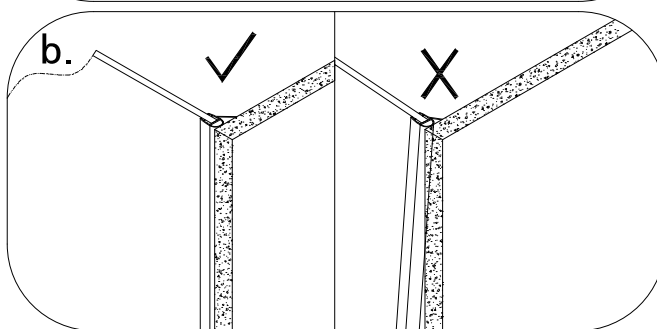
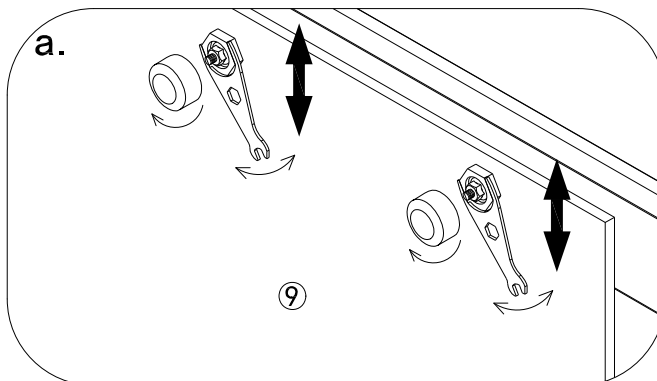
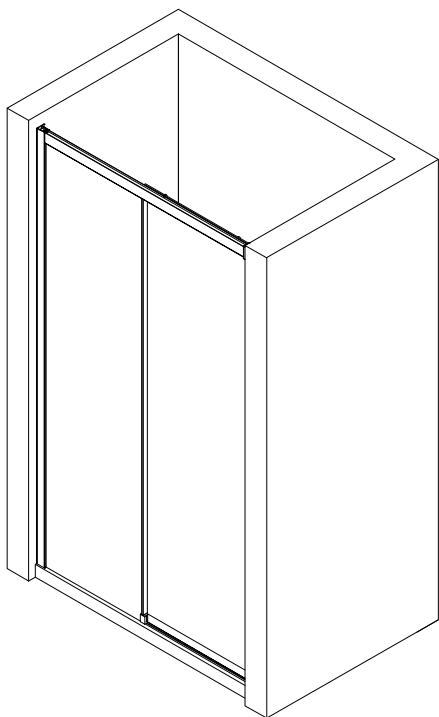


3. Install the movable door on the top rail and door strip

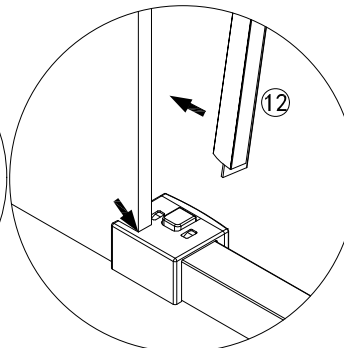
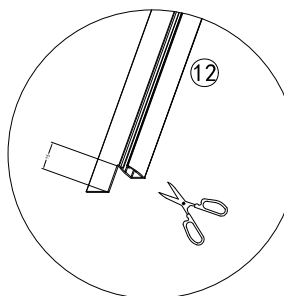
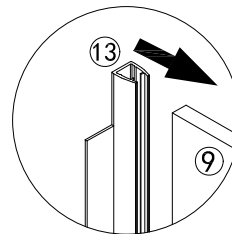
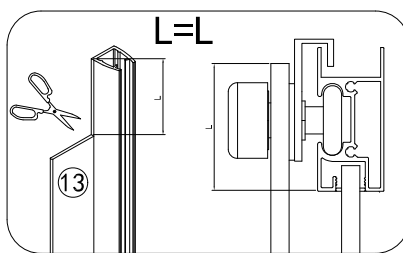
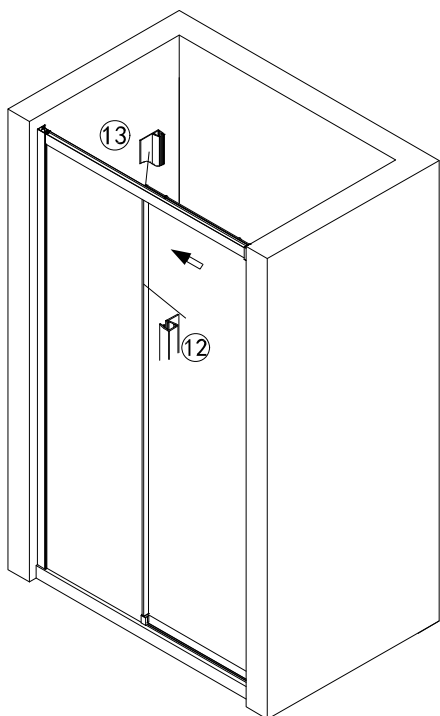
3a. Remove the parts of the wheels (14) (15) in the track, mount (15.2) (14.2) on the glass, then hang the glass on the main shaft of (14.1) (15.1), then install the other wheels in turn component. Rotate (14.2) (15.2) to adjust the height of the door



3b. Adjust the balance of the door, rotate (14.2)(15.2) and adjust the height of door. Finally tighten the cover caps of the wheels.

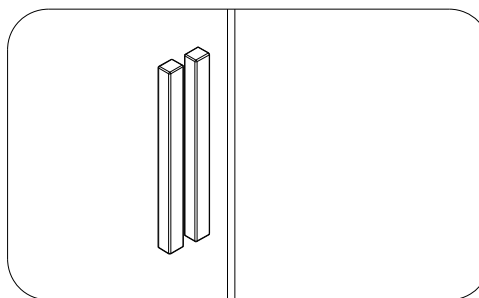
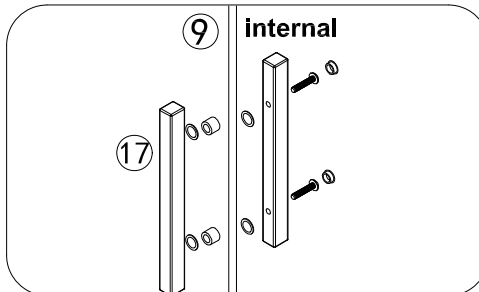
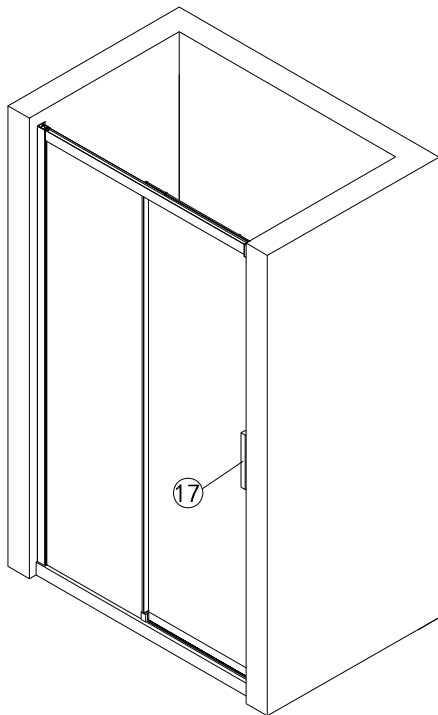


4. Install the strips

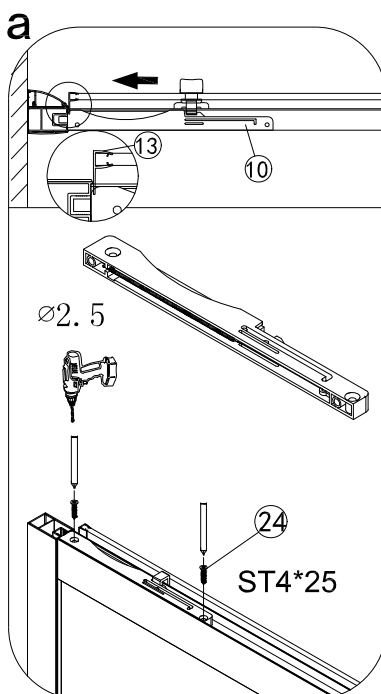
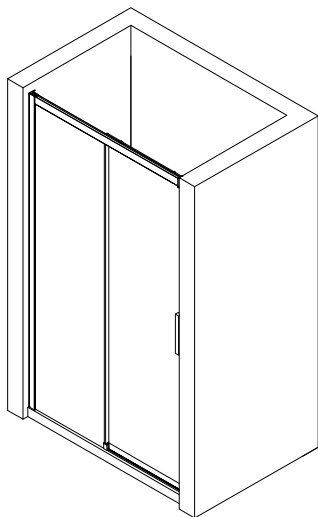


Ensure the the vertical seal (12) is pushed fully down to make contact with the bottom door guide (18)

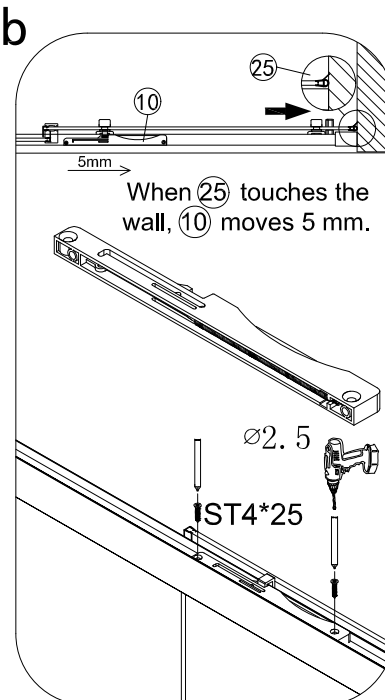
5. Install the door handle



6. Install the soft glide piston stops



The first piston is located on the top of the fixed glass profile frame at the wall end as shown.



As shown, the second piston is located at the top of the fixed glass profile frame, located at (25) against the wall

